

# LMK 382



## Stainless Steel Probe

Ceramic Sensor

accuracy according to IEC 60770:  
standard: 0.35 % FSO  
option: 0.25 % FSO

### Nominal pressure

from 0 ... 40 cmH<sub>2</sub>O up to 0 ... 200 mH<sub>2</sub>O

### Output signals

2-wire: 4 ... 20 mA  
3-wire: 0 ... 10 V  
others on request

### Special characteristics

- ▶ diameter 39.5 mm
- ▶ especially for sewage, viscous and pasty media

### Optional versions

- ▶ IS-version  
Ex ia = intrinsically safe for gas and dust
- ▶ mounting with stainless steel pipe
- ▶ flange version
- ▶ diaphragm 99.9 % Al<sub>2</sub>O<sub>3</sub>
- ▶ different kinds of cables and elastomers

The stainless steel probe LMK 382 has been designed for continuous level measurement in waste water, polluted and higher viscosity media.

Basic element is a robust and high overpressure capable capacitive ceramic sensor which is suitable e. g. for low levels.

### Preferred areas of use are



#### Water

drinking water abstraction



#### Sewage

waste water treatment  
water recycling



#### Fuel and oil

level monitoring in open tanks  
with low filling heights  
fuel storage  
tank farms / biogas plants





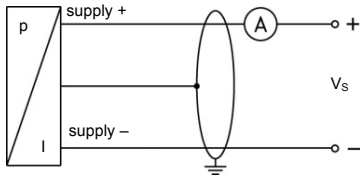
# LMK 382

Stainless Steel Probe

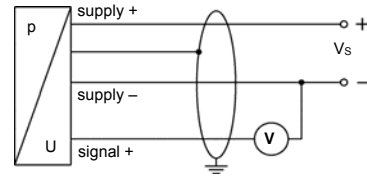
Technical Data

## Wiring diagrams

2-wire-system (current)



3-wire-system (voltage)



## Pin configuration

Electrical connection

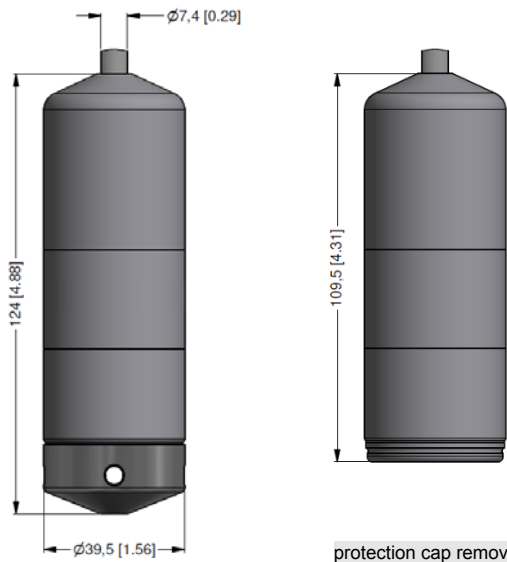
Supply +  
Supply -  
Signal + (only for 3-wire)  
Shield

cable colours (IEC 60757)

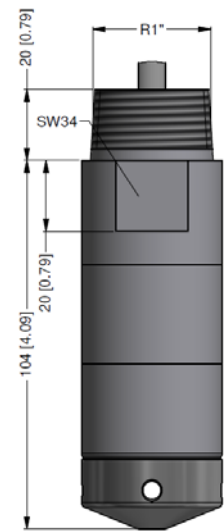
WH (white)  
BN (brown)  
GN (green)  
GNYE (green-yellow)

## Dimensions (mm / in)

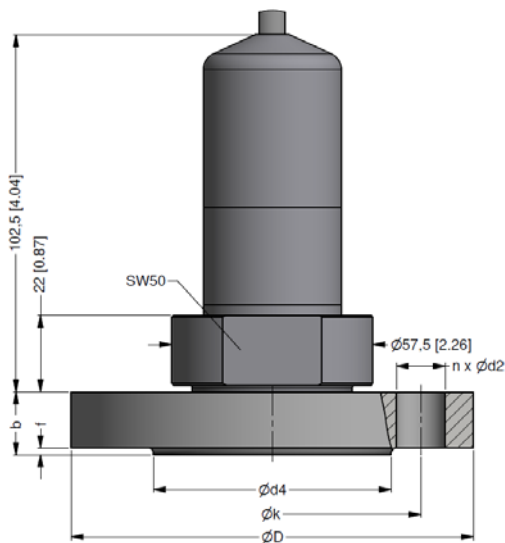
standard



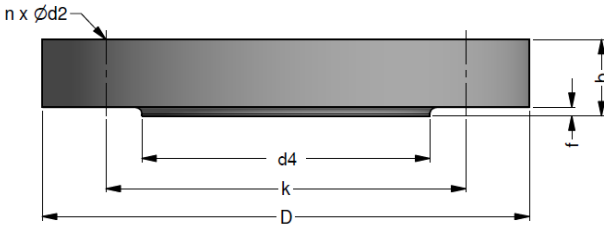
option

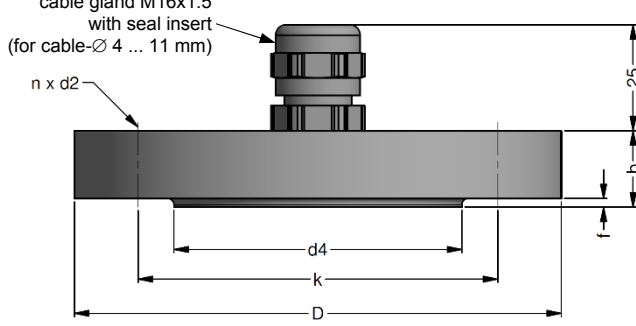



flange version



⇒ transmitter flange is not part of supply and has to be ordered separately

Transmitter flange for flange version																																							
		<table border="1"> <thead> <tr> <th colspan="4">dimensions in mm</th> </tr> <tr> <th>size</th> <th>DN25 / PN40</th> <th>DN50 / PN40</th> <th>DN80 / PN16</th> </tr> </thead> <tbody> <tr> <td>b</td> <td>18</td> <td>20</td> <td>20</td> </tr> <tr> <td>D</td> <td>115</td> <td>165</td> <td>200</td> </tr> <tr> <td>d2</td> <td>14</td> <td>18</td> <td>18</td> </tr> <tr> <td>d4</td> <td>68</td> <td>102</td> <td>138</td> </tr> <tr> <td>f</td> <td>2</td> <td>3</td> <td>3</td> </tr> <tr> <td>k</td> <td>85</td> <td>125</td> <td>160</td> </tr> <tr> <td>n</td> <td>4</td> <td>4</td> <td>8</td> </tr> </tbody> </table>		dimensions in mm				size	DN25 / PN40	DN50 / PN40	DN80 / PN16	b	18	20	20	D	115	165	200	d2	14	18	18	d4	68	102	138	f	2	3	3	k	85	125	160	n	4	4	8
dimensions in mm																																							
size	DN25 / PN40	DN50 / PN40	DN80 / PN16																																				
b	18	20	20																																				
D	115	165	200																																				
d2	14	18	18																																				
d4	68	102	138																																				
f	2	3	3																																				
k	85	125	160																																				
n	4	4	8																																				
Technical data																																							
Suitable for	LMK 382, LMK 382H, LMK 458, LMK 458H																																						
Flange material	stainless steel 1.4404 (316L)																																						
Hole pattern	according to DIN 2507																																						
Ordering type	Ordering code	Weight																																					
Transmitter flange DN25 / PN40	ZSF2540	1.2 kg																																					
Transmitter flange DN50 / PN40	ZSF5040	2.6 kg																																					
Transmitter flange DN80 / PN16	ZSF8016	4.1 kg																																					

Mounting flange with cable gland																																							
		<table border="1"> <thead> <tr> <th colspan="4">dimensions in mm</th> </tr> <tr> <th>size</th> <th>DN25 / PN40</th> <th>DN50 / PN40</th> <th>DN80 / PN16</th> </tr> </thead> <tbody> <tr> <td>b</td> <td>18</td> <td>20</td> <td>20</td> </tr> <tr> <td>D</td> <td>115</td> <td>165</td> <td>200</td> </tr> <tr> <td>d2</td> <td>14</td> <td>18</td> <td>18</td> </tr> <tr> <td>d4</td> <td>68</td> <td>102</td> <td>138</td> </tr> <tr> <td>f</td> <td>2</td> <td>3</td> <td>3</td> </tr> <tr> <td>k</td> <td>85</td> <td>125</td> <td>160</td> </tr> <tr> <td>n</td> <td>4</td> <td>4</td> <td>8</td> </tr> </tbody> </table>		dimensions in mm				size	DN25 / PN40	DN50 / PN40	DN80 / PN16	b	18	20	20	D	115	165	200	d2	14	18	18	d4	68	102	138	f	2	3	3	k	85	125	160	n	4	4	8
dimensions in mm																																							
size	DN25 / PN40	DN50 / PN40	DN80 / PN16																																				
b	18	20	20																																				
D	115	165	200																																				
d2	14	18	18																																				
d4	68	102	138																																				
f	2	3	3																																				
k	85	125	160																																				
n	4	4	8																																				
Technical data																																							
Suitable for	all probes																																						
Flange material	stainless steel 1.4404 (316L)																																						
Material of cable gland	standard: brass, nickel plated      on request: stainless steel 1.4305 (303); plastic																																						
Seal insert	material: TPE (ingress protection IP 68)																																						
Hole pattern	according to DIN 2507																																						
Ordering type	Ordering code	Weight																																					
DN25 / PN40 with cable gland brass, nickel plated	ZMF2540	1.4 kg																																					
DN50 / PN40 with cable gland brass, nickel plated	ZMF5040	3.2 kg																																					
DN80 / PN16 with cable gland brass, nickel plated	ZMF8016	4.8 kg																																					

Terminal clamp			
			
Technical data			
Suitable for	all probes with cable Ø 5.5 ... 10.5 mm		
Material of housing	standard: steel, zinc plated      optionally: stainless steel 1.4301 (304)		
Material of clamping jaws and positioning clips	PA (fibre-glass reinforced)		
Dimensions (mm)	174 x 45 x 32		
Hook diameter	20 mm		
Ordering type	Ordering code	Weight	
Terminal clamp, steel, zinc plated	Z100528	approx. 160 g	
Terminal clamp, stainless steel 1.4301 (304)	Z100527		

