



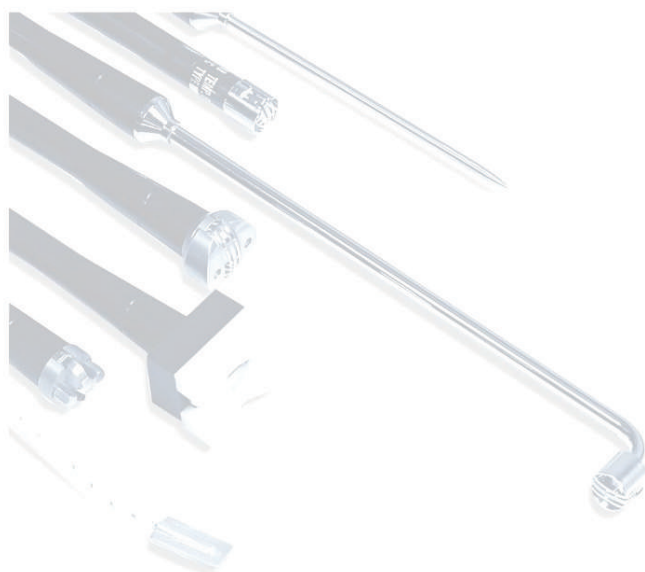
Digital Thermometer

TK-62 K and R thermocouple input

CE RoHS



- Measuring Range : -200 to +1772°C
- High Accuracy and Fast Response
- Digital LCD Display with Back-Light
- Records Max./Min. Values
- RS-232 Signal Output
- CE and ROHS Approved



Specifications of TK-62

Input	Thermocouple K (CA)	Thermocouple R (PR)
Measuring Range	-200 ~ +1372°C (-328.0 ~ + 2501 °F)	-20 ~ +1772°C (-4 ~ +3221°F)
Resolution	0.1°C Between -199.9 to +199.9°C 1°C Above 200°C (Auto Ranging)	
Accuracy (at 25°C)	± 0.1% of rdg+0.2°C (Between -199.9 to +199.9°C), ± 0.1% of rdg+1°C (Above 200°C)	
Sampling Rate	Approx. 0.4 sec.	Approx. 1 sec.
Temp. Compensation	Temp. Compensation of Cold Junction auto- switchable depends on T/C types	
Display	Digital LCD display with multi-functions (back-light luminescence EL)	
Functions	K/R-Type switchable, Accurate auto temperature compensation, Auto/manual power off, Records Max./Min. values, Data-hold, °C/°F, switchable, Back-light luminescence, Battery symbol and low battery warning, RS-232 signal output.	
RS-232 Output	0.1°C / 1Bit (-200 ~ +1800°C), Baud Rate = 57,600	
Power Supply	One 9V006P Battery, about 160 hours typical, or AC adaptor (option)	
Dimension	140 x 56 x 32 mm (L x W x D)	
Weight	Approx.120g (without battery)	
Sensor Connector	Miniature connector for thermocouple (Standard)	

※Specifications are subject to change without notice.