



CWL100 Cloud Wireless Data Logger



Features

- Reliable >100 m (approx. 330 ft) wireless range utilizing LoRa™ radio technology
- Detachable high-accuracy relative humidity and temperature probes
- Typical battery life of 18 months
- Uses standard alkaline batteries
- Optional magnetic mounting bracket available

CWL100 Cloud Wireless Data Logger uses long range LoRa wireless technology. It can be used to monitor temperature and humidity in a wide range of environments such as warehouses, production areas, cleanrooms, and laboratories. CWL100 is also suitable for construction moisture measurement.

LoRa wireless

CWL100 connects wirelessly to Vaisala Jade Smart Cloud service, which provides real-time data, trend graphs, and alerts. The LoRa modulation technique provides a robust wireless signal that is extremely reliable over long distances and in complex, obstructed conditions. This wireless technology allows the data logger's signal to travel over 100 m (approx. 330 ft) indoors without the aid of signal amplifiers or repeaters. Wireless communications are encrypted to ensure data integrity and security.

Measurements are updated on the local display and stored on the data logger's local memory every 60 seconds, and sent through the wireless connection every 4 minutes. Jade Smart Cloud service stores the data in the original 1-minute resolution.

In case of a temporary network disruption the data logger can record up to 30 days of measurements. Recorded data can be downloaded directly from CWL100 through the USB port.

Versatility and convenience

CWL100 requires no startup configuration, and the included mounting bracket supports several installation methods. Detailed custom display shows the latest measurement results, battery status, and signal strength of the current access point connection. The housing is classified IP54 to protect the device from dust and cleaning.

CWL100 is powered by 2 standard AA size 1.5 V batteries (LR6 alkaline or FR6 lithium) for 18 months of operation at approximately 20 °C (68 °F). When fresh batteries are inserted during yearly calibration, battery replacement between calibrations is not needed.

Detachable probe

CWL100 supports several probe types for humidity and temperature measurement. Models with plastic housing are suitable for ambient measurements and provide a fast temperature response time. Stainless

steel probes are robust and suitable for demanding applications such as construction moisture measurement using the borehole method.

The probes use Vaisala HUMICAP® humidity sensors and platinum temperature sensors for superior stability. Probes can be integrated with the CWL100 housing or connected using a cable.

The probe is detachable, and easy to switch out for calibration. Jade Smart Cloud service detects the changed probe information automatically and maintains accurate and complete historical records.

Probe options

Probe model	Measurement	Application ¹⁾	Measurement temperature	Mounting	Calibration certificate
HMP63	RH + T	General purpose humidity and temperature probe. Ideal for ambient measurement.	-40 ... +60 °C (-40 ... +140 °F)	Integrated or cable probe	No
HMP63T	T	General purpose temperature probe. Ideal for ambient measurement.	-40 ... +60 °C (-40 ... +140 °F)	Integrated or cable probe	No
HMP110	RH + T	Robust probe for demanding conditions. Suitable for structural humidity measurement using the borehole method.	-40 ... +80 °C (-40 ... +176 °F)	Cable probe only	Yes
HMP115	RH + T	Calibrated probe for high accuracy general purpose humidity and temperature measurement.	-40 ... +60 °C (-40 ... +140 °F)	Integrated or cable probe	Yes
HMP115T	T	Calibrated probe for high accuracy general purpose temperature measurement.	-40 ... +60 °C (-40 ... +140 °F)	Integrated or cable probe	Yes
TMP115	T	Wide-range temperature probe. Suitable for measurement in extremely cold temperatures. Available as 50 cm (1 ft 7.7 in) and 3 m (9.8 ft) long versions.	-196 ... +90 °C (-320 ... +194 °F)	Integrated or cable probe	Yes

1) See probe datasheets for detailed probe specifications and probe-specific accessories.

Accessories

Accessory	Item code	HMP63	HMP110	HMP115/T	TMP115
Probe cable 1.5 m	CBL210555-1M5SP	✓	✓	✓	✓
Probe cable 3 m	CBL210555-3MSP	✓	✓	✓	✓
Probe cable 10 m	CBL210555-10MSP	✓	✓	✓	✓
Flat cable 3 m	CBL210647SP	✓	✓	✓	✓

Accessories for concrete moisture measurement

Accessory	Item code	HMP63	HMP110	HMP115/T	TMP115
Plastic tube set (12 pcs)	19266HM		✓		
Long (200 mm) plastic tube set (12 pcs)	245789		✓		
Rubber plugs (12 pcs)	233976		✓		
Plastic flange set (12 pcs)	26529HM		✓		
Long rubber plug for wet concrete (12 pcs)	26530HM		✓		



HMP63/T and HMP115/T probes



HMP110 probe



TMP115 probe

Technical data

Wireless

Networking standards	LoRa™
Modulation	LoRa chirp spread spectrum modulation
Output power	13 dBm (20 mW)
Antenna	Internal
Typical range (indoors)	At least 100 m (approx. 330 ft)
Range with line-of-sight	Over 500 m (1640 ft)
Frequency bands	868 MHz and 915 MHz

Memory

Sample capacity	30 days (43200 samples per channel)
Memory type	Non-volatile EEPROM
Memory mode	Ring buffer (FIFO)
Sampling rate	One sample / channel / minute (non-changeable)

General

Compatible probes	HMP63, HMP63T, HMP110, HMP115, HMP115T, TMP115
Batteries	2 × AA sized, 1.5 V (LR6 or FR6)
Operation time at 20 °C (68 °F) without external power supply	18 months
Internal clock accuracy	±30 s/month Synchronizes time from CA10 access point

Compliance

Electromagnetic compatibility (EMC)	EN 61326-1, industrial environment
Electrical safety	EN 61010-1
868 MHz model	
EU directives and regulations	RoHS Directive (2011/65/EU) amended by 2015/863 Radio Equipment Directive, RED (2014/53/EU)
Radio standards and approvals	ETSI EN 300 220-2 ETSI EN 301 489-1 ICASA No: TA-2022-0748 IMDA No: DB105576 Serbia: I005 21
Compliance marks	AAA, CE, ICASA, UKCA
915 MHz model	
Radio standards and approvals	Anatel ID: 04761-19-12322 AS/NZS 4268 FCC ID: 2A039-RFL100A IC ID: 23830-RFL100A
Compliance marks	ANATEL, RCM

Operating environment

Storage temperature	-40 ... +60 °C (-40 ... +140 °F)
Operating humidity	0 ... 100 %RH, non-condensing
IP rating	IP54
Operating temperature ¹⁾	
with alkaline batteries	+2 ... +60 °C (+35.6 ... +140 °F)
with lithium batteries	-20 ... +60 °C (-4 ... +140 °F)

¹⁾ For both alkaline and lithium, battery temperature operating specifications apply.

Mechanical specifications

Housing color	White
Mounting methods	Screws, tie-wrap, hook, or magnetic mounting bracket (optional accessory)
Probe interface	4-pin female M8 connector
Service port	USB 2.0 with micro-USB connector

Dimensions (H × W × D) with HMP115 probe

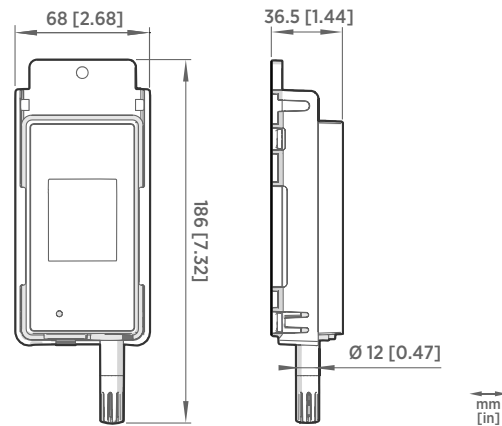
Without mounting bracket	158 × 62 × 31 mm (6.22 × 2.4 × 1.22 in)
With mounting bracket	186 × 68 × 36.5 mm (7.32 × 2.68 × 1.44 in)

Weight

With batteries (2 pcs alkaline), HMP115 probe, and magnetic mounting bracket	254 g (8.96 oz)
--	-----------------

Materials

Housing	PC/ABS blend
Display window	PMMA (acrylic)
Sealings	TPE



CWL100 dimensions with HMP115 probe

VAISALA

www.vaisala.com

Published by Vaisala | B211912EN-E © Vaisala 2023

All rights reserved. Any logos and/or product names are trademarks of Vaisala or its individual partners. Any reproduction, transfer, distribution or storage of information contained in this document is strictly prohibited. All specifications – technical included – are subject to change without notice.